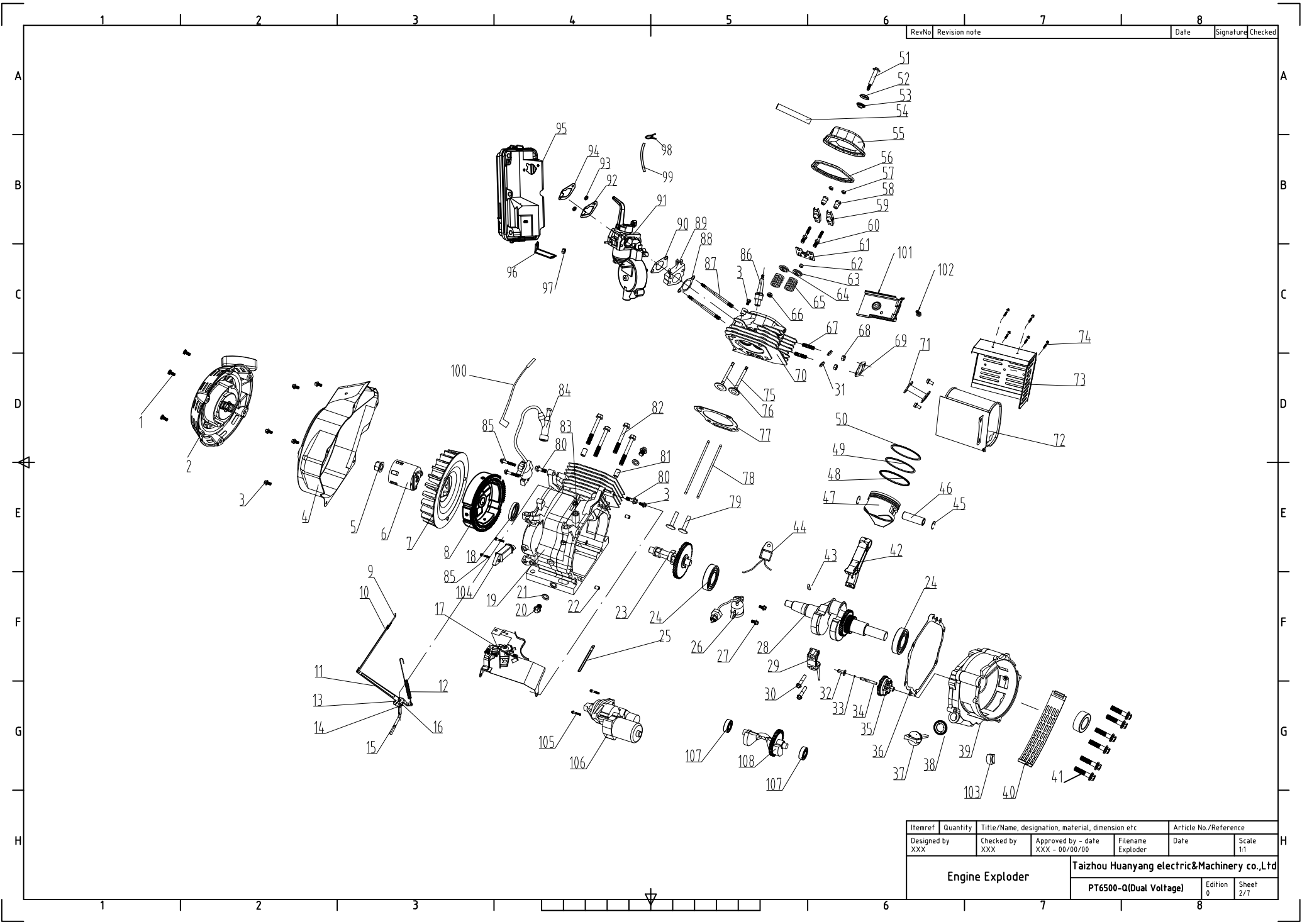


5	Control panel	控制面板	
4	Electrical machine	电机	
3	Frame	机架	
2	Fuel tank	油箱	
1	Engine	发动机	
Number	English	Chinese	
Itemref	Quantity	Title/Name, designation, material, dimension etc	Article No./Reference
Designed by XXX	Checked by XXX	Approved by - date XXX - 00/00/00	Filename Exploder
Date		Scale 1:1	
Generator Explosive General Drawing		Taizhou huanyang Electric & Machinery Co.,Ltd	
PT6500-Q(Dual Voltage)		Edition 0	Sheet 1/7

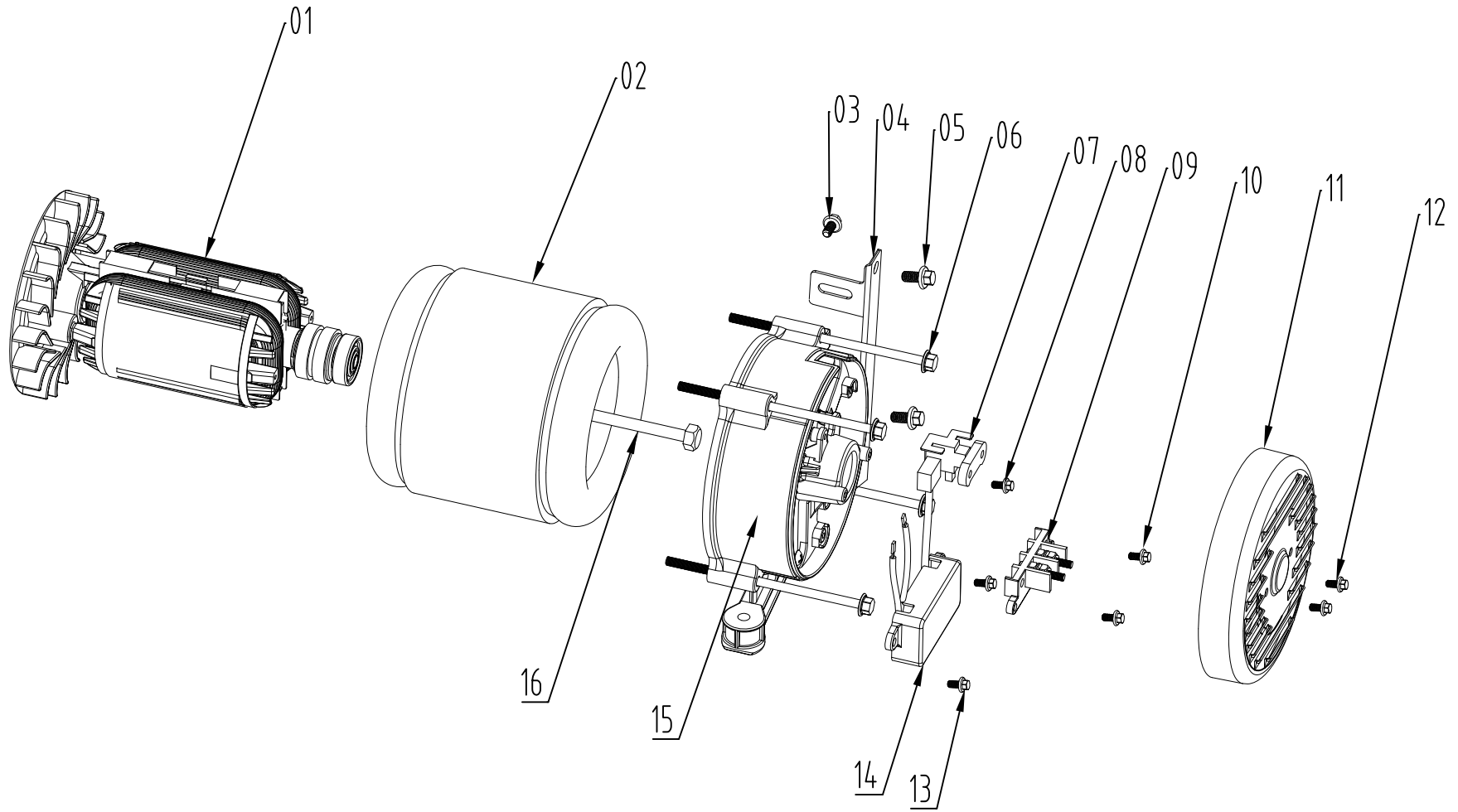


RevNo	Revision note	Date	Signature	Checked
-------	---------------	------	-----------	---------

Itemref	Quantity	Title/Name, designation, material, dimension etc	Article No./Reference		
Designed by XXX	Checked by XXX	Approved by - date XXX - 00/00/00	Filename Exploder	Date	Scale 1:1
Engine Exploder			Taizhou Huanyang electric&Machinery co.,Ltd		
			PT6500-Q(Dual Voltage)		Edition 0

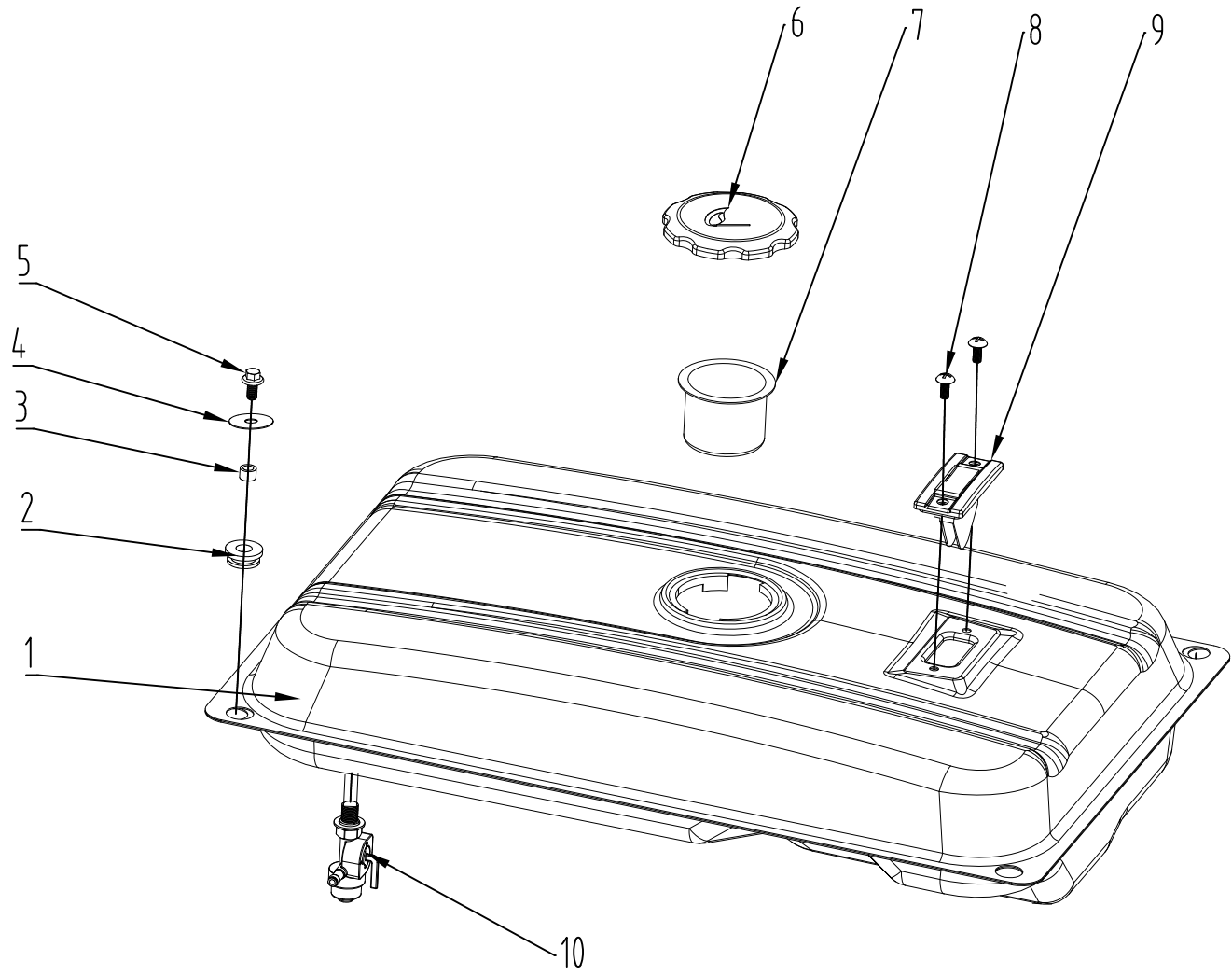
TAIZHOU HUANYANG ELECTRIC & MACHINERY CO.,LTD Generator Explosive View For PT6500-Q(Dual Voltage) Sheet 3/7

No	English Name	Number	No	English Name	Number
1	Flange Bolt M6×8	3	55	Cylinder head cover	1
2	Recoil starter	1	56	Cylinder head cover gasket	1
3	Flange Bolt M6×12	5	57	Rocker Nut	2
4	Fan Cover	1	58	Rocker adjust Nut	2
5	Flywheel Nut M16×1.5	1	59	Rocker arm	2
6	Starting Cup	1	60	Rocker Bolt	2
7	Fan	1	61	Push-Rod Keep Frame	1
8	Flywheel	1	62	Exhaust Valve Hat	1
9	Governor Pull Rod	1	63	Exhaust Valve Spring Retainer	1
10	Small Governor Spring	1	64	Intake Valve Spring Retainer	1
11	Governor Arm	1	65	Valve Spring	2
12	Governor Spring	1	66	Valve leader seal	1
13	Square Bolt M6×21	1	67	Stud bolt M8×32	2
14	Flange Nut M6	1	68	Nut M8	2
15	Governor Lever	1	69	Exhaust pipe Gasket	1
16	Governor jump ring	1	70	Cylinder head	1
17	Set Governing base	1	71	Exhaust pipe	1
18	Oil seal	2	72	Muffler	1
19	Crankcase	1	73	Muffler Cover	1
20	Drain Plug	2	74	Flange Bolt M6×8	6
21	Drain Plug Gasket	2	75	Exhaust Valve	2
22	Crankcase Pin φ8×14	2	76	Intake Valve	1
23	Camshaft	1	77	Cylinder head gasket	1
24	Bearing 6207	2	78	Push-rod	2
25	Line card	1	79	Tappet	2
26	Oil Sensor	1	80	Flange Bolt M6×12	2
27	Flange Bolt M6×12	2	81	Cylinder head Pin φ12×20	2
28	Crankshaft	1	82	Cylinder head Bolt M10×80	4
29	Connecting rod Cover	1	83	Governor Shaft Seal	1
30	Connecting rod Bolt	2	84	High Voltage bag	1
31	Spring gasket 8	2	85	Flange Bolt M6×25	2
32	Governor Cover	1	86	Sparkplug	1
33	Retainer ring 6	1	87	Set carburetor bolt	2
34	Governor Shaft	1	88	Carburetor Insulator Gasket	1
35	Governor Gear	1	89	Carburetor Insulator	1
36	Crankcase Gasket	1	90	Carburetor Gasket	1
37	Oil ruler	1	91	Carburetor	1
38	Oil ruler Gasket	1	92	Air Cleaner Gasket	1
39	High Crankcase cover	1	93	Flange Nut M6	2
40	Dust-proof net	1	94	Air Cleaner pressing plate	1
41	Flange Bolt M8×35	7	95	Air Cleaner pressing plate	1
42	Connecting rod body	1	96	Air Cleaner support	1
43	Flywheel key	1	97	Nut M6	1
44	Interdiction Organ	1	98	Fuel pipe circlip	1
45	Piston pin clip	2	99	Fuel pipe	2
46	Piston pin	1	100	Off line	1
47	Piston	1	101	Under wind deflector	1
48	Oil ring	1	102	Flange Bolt M6×12	1
49	Second compression ring	1	103	Rubber cover	1
50	Top compression ring	1	104	Charge winding	1
51	Cylinder Cover Bolt	1	105	Flange Bolt M8×33	2
52	Cylinder Cover Bolt Gasket	1	106	Electric starter	1
53	Cylinder Cover Bolt Airproof Gasket	1	107	Bearing 6202	2
54	Breather tube	1	108	Balanceshaft	1



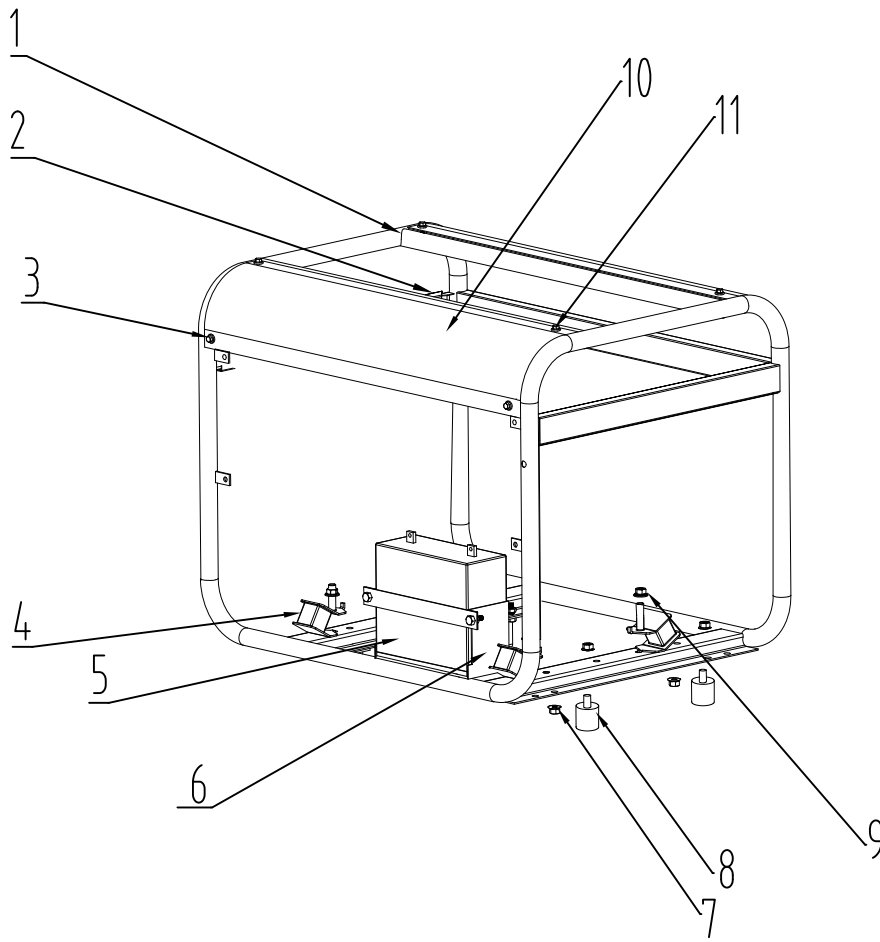
4	Hang feet	1	8	Carbon brush Bolt M5×16	1	12	Back Cover bolt M5×8	2	16	Rotor bolt	1
3	Bolt M6×12	1	7	Carbon brush	1	11	Back Cover	1	15	Generator End Bell	1
2	Stator	1	6	Stator bolt	4	10	Junction Box Bolt M5×12	2	14	AVR	1
1	Rotor	1	5	Bolt M8×16	2	9	Junction Box	1	13	AVR Bolt M5×12	2
No	English	Number	No	English	Number	No	English	Number	No	English	Number

Itemref	Quantity	Title/Name, designation, material, dimension etc			Article No./Reference	
Designed by XXX	Checked by XXX	Approved by - date XXX - 00/00/00	Filename Exploder	Date	Scale 1:1	
Electrical machine Exploder			Taizhou Huanyang electric&Machinery co.,Ltd			
			PT6500-Q(Dual Voltage)		Edition 0	Sheet 4/7



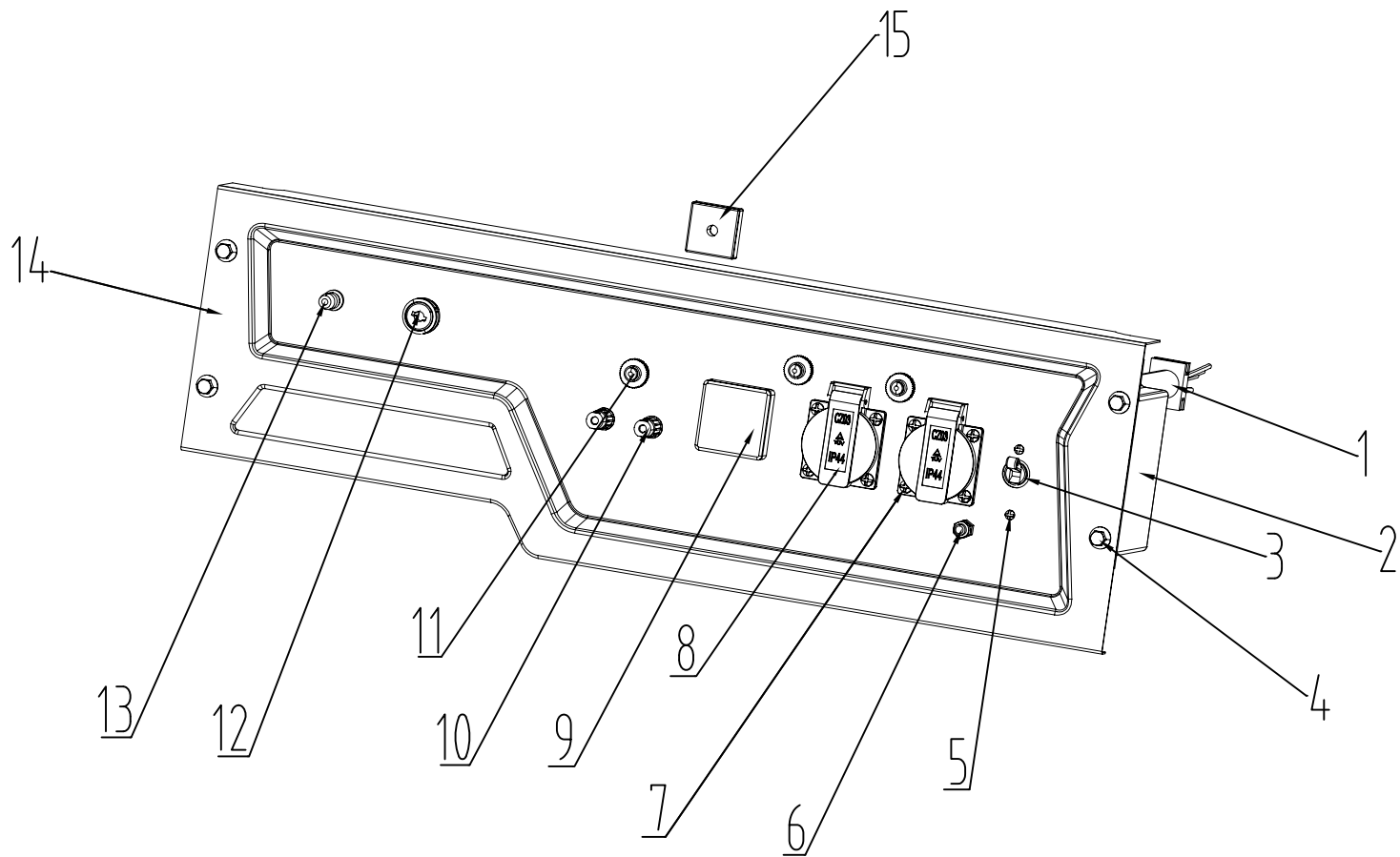
4	Iron gasket	4	8	Fuel Meter	1		
3	Iron cover	4	7	Filter net	1		
2	Rubber gasket	4	6	Fuel tank Cover	1	10	Fuel switch
1	Fuel tank	1	5	Bolt M6×25	4	9	Bolt M5×12
No	English	Number	No	English	Number	No	English

Itemref	Quantity	Title/Name, designation, material, dimension etc			Article No./Reference	
Designed by XXX	Checked by XXX	Approved by - date XXX - 00/00/00	Filename Exploder	Date	Scale 1:1	
Fuel tank Explosive Drawing			Taizhou huanyang Electric & Machinery Co.,Ltd			
			PT6500-Q(Dual Voltage)		Edition 0	Sheet 5/7



8	Rubber feet1	4						
7	Flange Nut M8	8						
6	Battery box	1						
5	Battery	1						
4	Damping feet	4						
3	Flange Bolt M6×8	6	11	Flange Bolt M6×35	4			
2	Moved cross beam	1	10	Curved plate	2			
1	Frame	1	9	Flange Nut M10	4			
No	English	Number	No	English	Number	No	English	Number

Itemref	Quantity	Title/Name, designation, material, dimension etc			Article No./Reference	
Designed by XXX	Checked by XXX	Approved by - date XXX - 00/00/00	Filename Exploder	Date	Scale 1:1	
Frame Explosive Drawing			Taizhou huanyang Electric & Machinery Co.,Ltd			
			PT6500-Q(Dual Voltage)		Edition 0	Sheet 6/7



5	Bolt M3×8	2	10	DC terminal	1	15	Bridge pile	1
4	Bolt M6X12	4	9	Voltage meter	1	14	LPG gas inlet	1
3	Breaker	1	8	Socket	2	13	Electric switch	1
2	Panel back cover	1	7	Bolt M4X12	8	12	Q Model Panel	1
1	Inlet wire	1	6	Earth bolt	1	11	DC Breaker	1
No	English	Number	No	English	Number	No	English	Number

Itemref	Quantity	Title/Name, designation, material, dimension etc			Article No./Reference	
Designed by XXX	Checked by XXX	Approved by - date XXX - 00/00/00	Filename Exploder	Date	Scale 1:1	
Control panel Explosive Drawing			Taizhou huanyang Electric & Machinery Co.,Ltd			
			PT6500-Q(Dual Voltage)			Edition 0